

TOWER®

T14015

Safety and Instruction Manual

PLEASE READ CAREFULLY

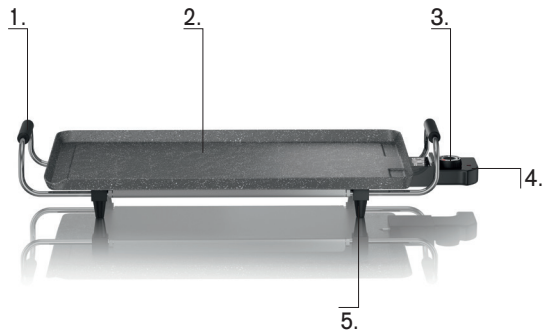


**Ceramic Stone Coated
46cm Teppanyaki Grill**

WHAT'S IN THE BOX

Instruction Manual

1. Handle
2. Grill Plate
3. Temperature Regulator
4. Power Connection
5. Non Slip Feet



BEFORE YOUR FIRST USE

1. Remove your cooker from the packaging.
2. Before using the unit for the first time, carefully clean the appliance.
3. Do not use any aggressive detergents, brushes with metal or nylon bristles or sharp objects such as knives or spatulas for cleaning the appliance.
4. Avoid damaging the non-stick coating.
5. Your appliance is now ready for normal use.

WARNING:
DO NOT immerse the unit in water.

CONTENTS:

Page

- 2 What's in the box & before your first use
- 4 Product safety information
- 6 Using your appliance & after use
- 7 Care and cleaning
- 8 Warranty
- 9 Important! Wiring safety
- 10 Notes
- 11 Your receipt & disposal of the unit

PRODUCT SAFETY INFORMATION

- Check that the voltage of the main circuit corresponds with the rating of the appliance before operating.
- Please ensure that the appliance is used on a stable, level, and heat resistant surface.
- Do not immerse cords, plugs or any part of the appliance in water or any other liquid.
- Do not leave the appliance unattended while it is operating.
- Close supervision is necessary when any appliance is used by or near children or pets.
- This appliance can be used by children aged from 8 years and above and persons with reduced physical, sensory or mental capabilities or lack of experience and knowledge if they have been given supervision or instruction concerning use of the appliance in a safe way and understand the hazards involved.
- Children shall not play with the appliance.
- Cleaning and user maintenance shall not be made by children without supervision.
- Switch off at the wall socket then remove the plug from the socket when not in use or before cleaning.
- If the supply cord or appliance is damaged, stop using the appliance immediately and seek advice from the manufacturer or its service agent or a similarly qualified person.
- Do not let the cord hang over the edge of a table or counter or let it come into contact with any hot surfaces.
- The use of accessory attachments is not recommended by the appliance manufacturer, apart from those supplied with this product.
- Do not pull the plug out by the cord as this may damage the plug and/or the cable.
- Do not use this product for anything other than its intended use.
- This appliance is for household use only.
- Do not carry the appliance by the power cord.
- Do not use the appliance outdoors.

- Never position the unit close to or on hot surfaces or open flames.
- Do not spill liquid onto the base unit. If this happens switch off and unplug from the mains, mop up the liquid and seek advice from a qualified technician.
- High temperatures are present during operation. Only touch the handles on the unit.
- The temperature regulator must not come into contact with the unit! Always pull out the plug before removing the temperature regulator!
- This appliance is Not intended for commercial use.
- Do not site the product under cupboards or near hanging fabric.
- Do not use the appliance near birds (e.g tropical birds such as parrots). The grill plate is finished with a non stick coating based on PTFE. Upon heating, the coating may release small amounts of gases which are fully harmless for people. However, the nervous systems of birds are extremely sensitive to these gases.
- In the unlikely event the appliance develops a fault, stop using it immediately and seek advice from the service department:
+44 (0) 844 984 0055

USING YOUR APPLIANCE

Connecting the Unit

- Connect the temperature regulator to the base of unit. Make sure that the plug is connected properly.
- Set the temperature regulator to heat level “O”.
- Connect the plug to a socket.

ATTENTION: Do not use a multiple outlet strip or extension cable.

Preparing Food

1. Brush the grill plate with a little cooking oil. This is optional
2. Set the temperature regulator to the required heat level.
3. The control lamp will light up to show that the unit is ready for use (ON).
4. It takes approximately 5 - 10 minutes to heat up the unit.
5. Once the control lamp goes out you can then start cooking the food.
6. If the food is completely done, you can adjust the temperature to lower or “O” heat level.
7. Can be used for frying or grilling food without using fat, teppanyaki cooking and barbecues.
8. Do not use metal utensils on the grill plate as this will damage the ceramic coating.

After Use

1. Set the temperature regulator to heat level “O” and pull the plug out of the mains socket.
2. Allow the unit to cool down thoroughly before cleaning it.

CARE AND CLEANING

Before cleaning, switch the product off and remove the power plug from the power outlet. Allow your appliance to cool before cleaning. The grill is easier to clean when slightly warm. Always clean your appliance after each use to prevent a build up of baked-on foods. Wipe grill plates with a soft cloth to remove food residue. For baked on food residue squeeze some warm water mixed with detergent over the food residue then clean with a non abrasive plastic scouring pad.

IMPORTANT! Allow to dry fully after cleaning before using again. Do not use the appliance if damp. Ensure the appliance is completely clean and dry before storing.

Durable Non-stick Coating

Cooking on a non-stick surface minimizes the need for oil, food does not stick and cleaning is easier. Any discolouration that may occur will only detract from the appearance of the grill and will not affect the cooking performance. When cleaning the non-stick coating, do not use metal (or other abrasive) scourers. Wash with warm soapy water. Remove stubborn residue with a non abrasive plastic scouring pad or nylon washing brush.

Storage

To store your appliance:

1. Unplug power cord from the power outlet.
2. Allow the grill to fully cool.
3. Store the power cord and grill together.
4. Store on a flat, dry level surface.

TECHNICAL DATA

Description:	Ceramic Stone Coated 46cm Teppanyaki Grill
Model:	T14015
Rated Voltage:	220V-240V ~ 50/60Hz
Power Consumption:	2000 Watts

DOCUMENTATION

We declare that this product conforms to the following product legislation in accordance with the following directive(s):

2004/108/EC	Electromagnetic Compatibility Directive.
2006/95/EC	Low Voltage Directive.
2011/65/EU	Restriction of Hazardous Substances Directive.
1935/2004/EC	Materials & Articles in Contact With Food (LFGB section 30 & 31).

RKW Quality Assurance, United Kingdom.

WARRANTY

This product is guaranteed for 12 months from the date of original purchase. If any defect arises due to faulty materials or workmanship, the faulty products must be returned to the place of purchase. Refund or replacement is at the discretion of the retailer.

The Following Conditions Apply:

- The product must be returned to the retailer with proof of purchase.
- The product must be installed and used in accordance with the instructions contained in this instruction guide.
- It must be used only for domestic purposes.
- It does not cover wear and tear, damage, misuse or consumable parts.
- RKW has limited liability for incidental or consequential loss or damage.
- This guarantee is valid in the UK and Eire Only.

**An extended warranty is available for this appliance.
See back page for details.**

IMPORTANT! WIRING SAFETY

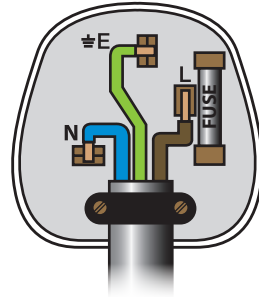
(For UK Use Only) As the colours in the mains lead of this appliance may not correspond with the coloured markings identifying the terminals in your plug, please proceed as follows:

The wires in the mains lead are coloured in accordance with the following code:

Blue [N] Neutral

Brown [L] Live

Green/Yellow [E] Earth ≡



Plug Fitting Details (where applicable)

The wire coloured blue is the neutral and must be connected to the terminal marked [N] or coloured black. The wire coloured brown is the live wire and must be connected to the terminal marked [L] or coloured red. The wire coloured green/yellow must be connected to the terminal marked with the letter [E] or ≡. On no account must either the brown or the blue wire be connected to the [E] terminal ≡.

Always ensure that the cord grip is fastened correctly.

The plug must be fitted with a fuse of the same rating already fitted and conforming to BS 1362 and be ASTA approved. If in doubt consult a qualified electrician who will be pleased to do this for you.

Non-rewireable Mains Plug

If your appliance is supplied with a non-rewireable plug fitted to the mains lead and should the fuse need replacing, you must use an ASTA approved one (conforming to BS 1362 of the same rating).

If in doubt, consult a qualified electrician who will be pleased to do this for you.

If you need to remove the plug - disconnect it from the mains - and then cut it off the mains lead and immediately dispose of it safely. Never attempt to reuse the plug or insert it into a socket outlet as there is a danger of an electric shock.

WARNING:
This Appliance **MUST** be Earthed

T14015 Ceramic Stone Coated 46cm Teppanyaki Grill

NOTES

YOUR RECEIPT

Affix your store receipt to this page.



DISPOSAL OF THE UNIT

Appliances bearing the symbol shown here may not be disposed of in domestic rubbish. You are required to dispose of old electrical and electronic appliances like this separately.

Please visit www.recycle-more.co.uk or www.recyclenow.co.uk for access to information about the recycling of electrical items.

Please visit www.weeeireland.ie for access to information about the recycling of electrical items purchased in Ireland.

The WEEE directive, introduced in August 2006, states that all electrical items must be recycled, rather than taken to landfill.

Please arrange to take this appliance to your local Civic Amenity site for recycling, once it has reached the end of its life.



TOWER®

thank you!

We hope you enjoy your appliance for many years. As a thank you for purchasing one of our fantastic products, we are giving you an extra 2 years peace of mind.

***To receive your extra 2 years guarantee, register your appliance online by visiting:**

www.towerhousewares.co.uk

Should you have a problem with your appliance, or need any spare parts, please call our Service Department on:

+44 (0) 844 984 0055



great british design, innovation and excellence since 1912